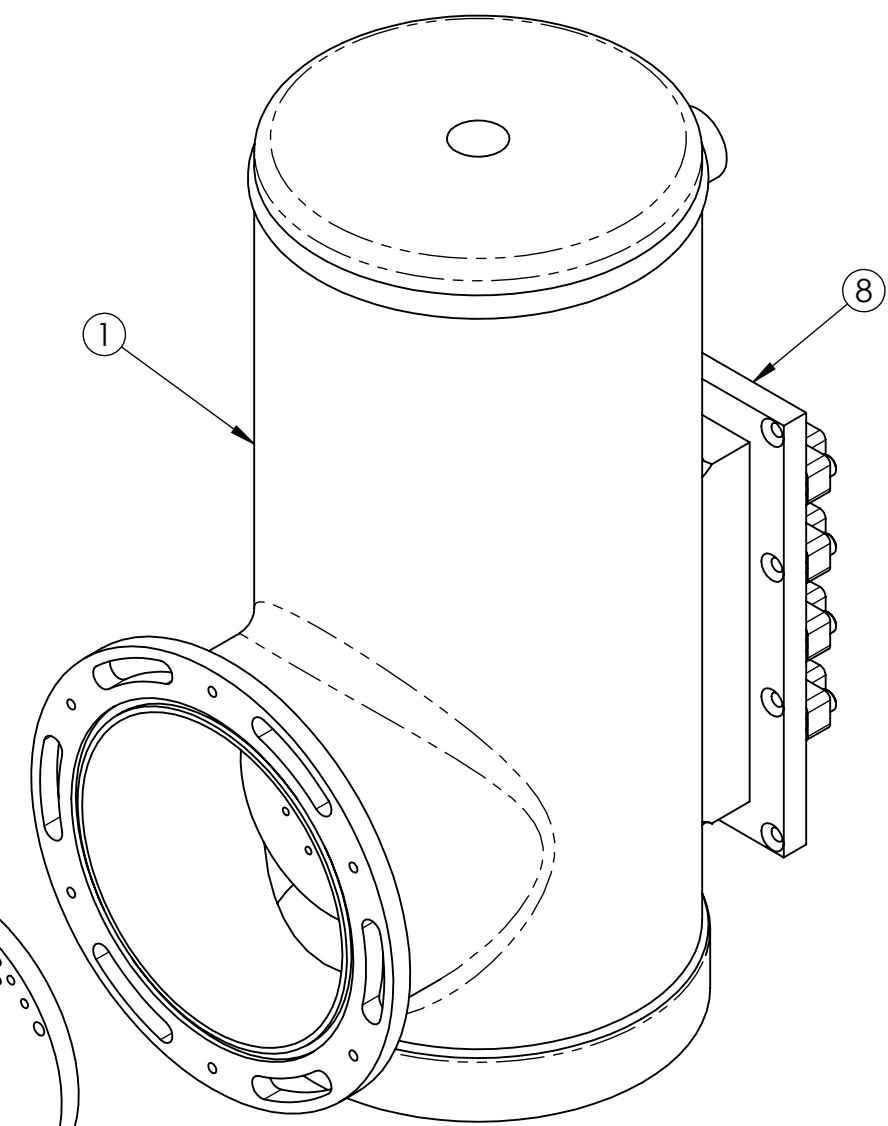
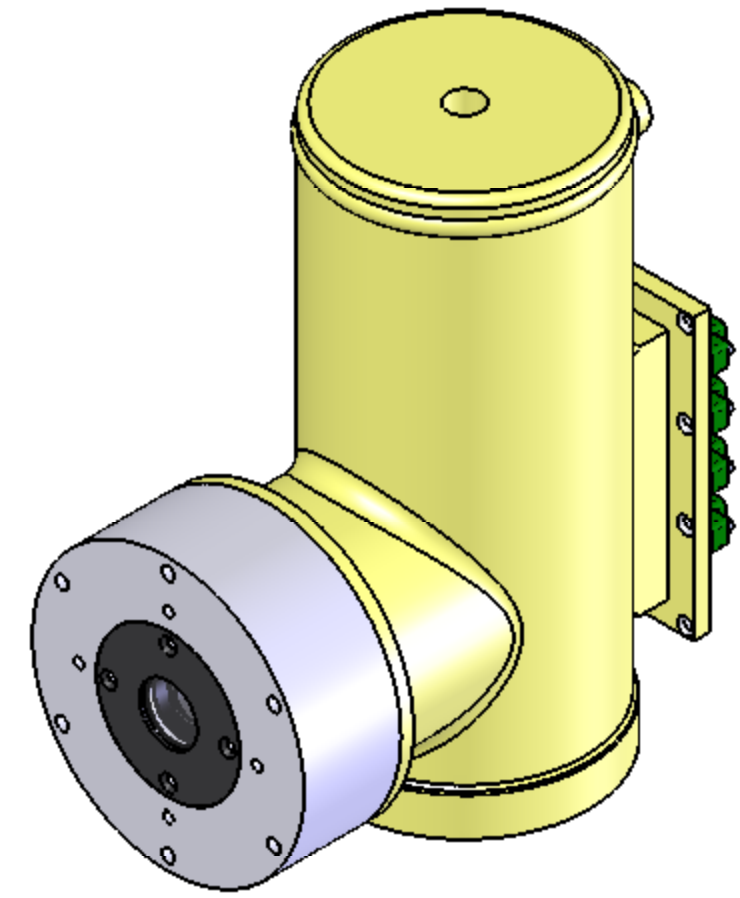
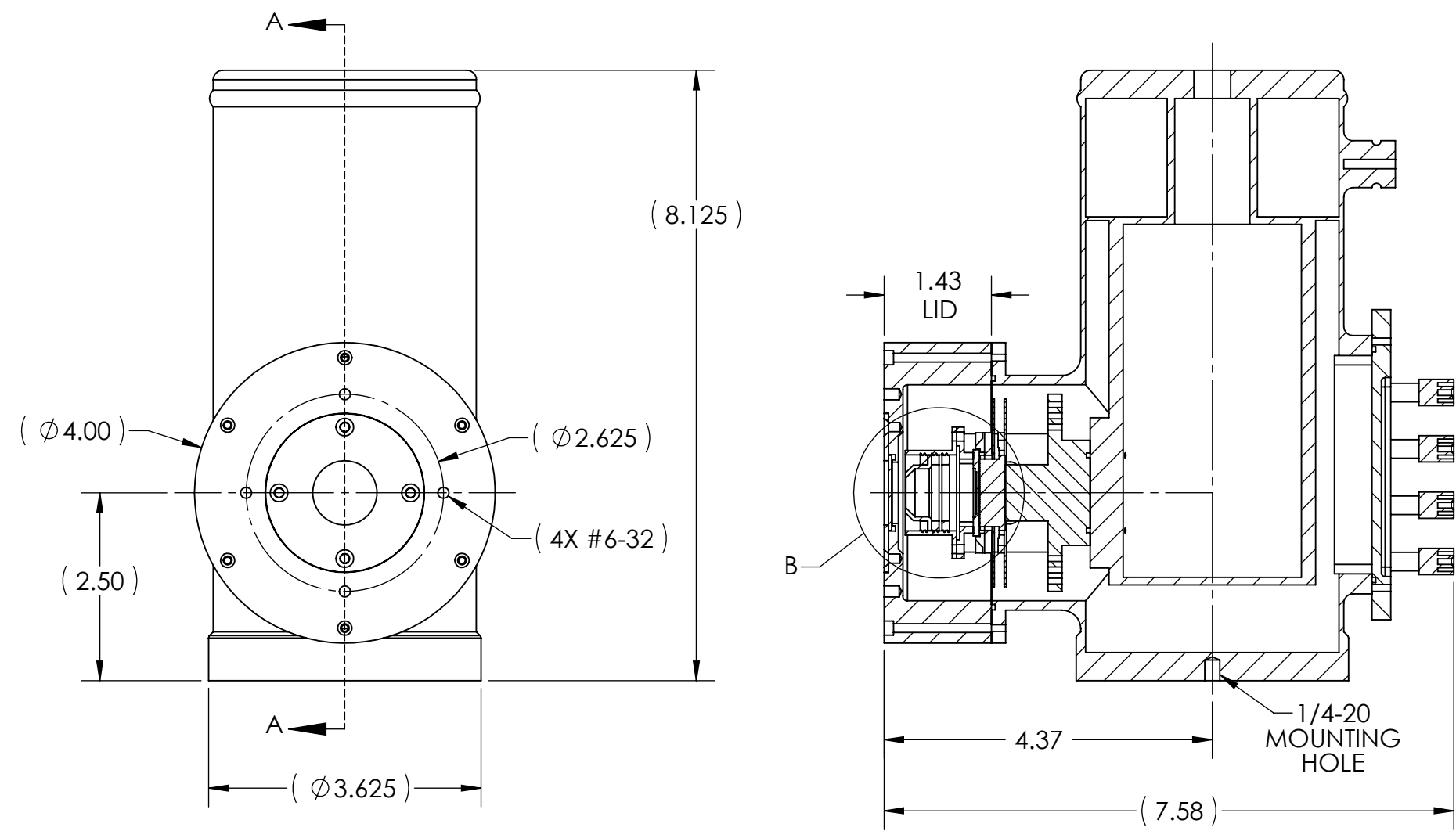
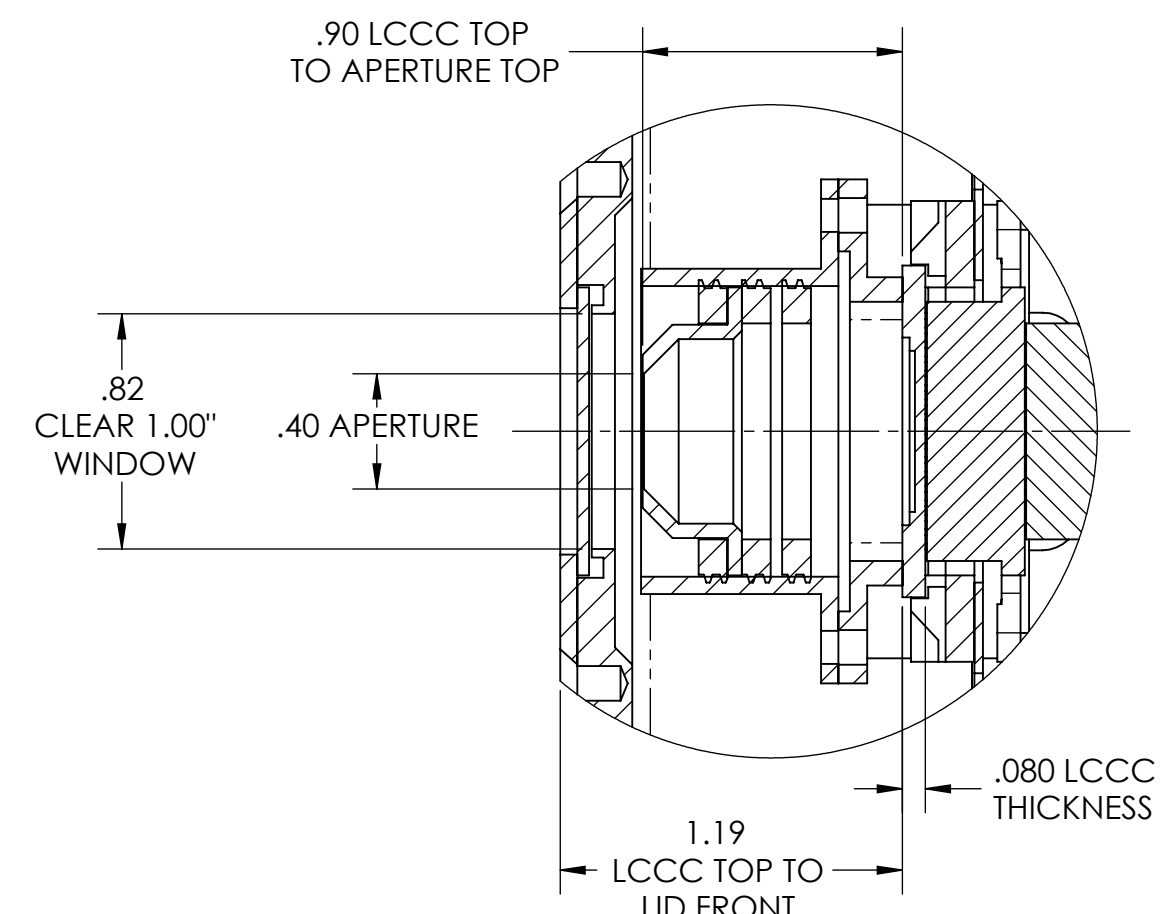


REVISION HISTORY		DATE	APPR.
REV	DESCRIPTION		
A	INITIAL RELEASE	11/25/08	



**SECTION A-A**



**DETAIL B**

ITEM NO.	PART NO.	DESCRIPTION	QTY.
1	DWR-001	DEWAR BODY, LN2, STANDARD	1
2	PED-010	PEDESTAL, SHORT, STANDARD	1
3	BRK-002	BRACKET, COLD CLAMP SUPPORT	2
4	CCB-025	COLD CLAMP BASE, 84 PIN, TEXTOL	1
5	MTB-009	MOTHER BOARD, 84 PIN	1
6	DTB-009	DAUGHTER BOARD, 84 PIN	1
7	TXT-008	TEXTOL SOCKET, 84 PIN	1
8	ASY-011	DEWAR BACK ASSY, GENERIC	1
9	CHP-001	CHIP, 84 PIN	1
10	CCT-015-02	MOD- COLD CLAMP TOP, 84 PIN, 9705 DEWAR	1
11	CSA-025	COLD SHIELD APERTURE, 0.4" ID x 1.00" OD	1
12	RLD-006	LID, ROUND, 1.00" WINDOW	1
13	CTB-026-03	TUBE, COLD SHIELD, 1.00" I.D., .685"L, MOD.	1
14	RNG-001	RING, THREADED, FOR 1.00" O.D. x .040 THK	3
15	WIN-001	WINDOW, 1.00 O.D. x .040 THK	1
16	WRT-001	RETAINER, WINDOW, 1.00" WINDOW	1

INTERPRET GEOMETRIC TOLERANCING PER ASME Y14.5-1994  
 UNLESS OTHERWISE SPECIFIED:  
 BREAK SHARP EDGES .015 MAX  
 DIMENSIONS ARE IN INCHES  
 TOLERANCES:  
 .XX ±.01  
 .XXX ±.005  
 ANGLES: ±2°  
 MACHINE SURFACE 125

NAME	DATE
DESIGNED A. PROCTOR	4/16/08
DETAILED A. PROCTOR	11/25/08
CHECKED	
APPROVED	
MATERIAL:	SEE PARTS LIST
FINISH:	NONE
ACT WT: .XX LBS	CAD GENERATED DWG

**CB, Inc.** 87 SANTA FELICIA DRIVE  
 GOLETA, CA 93117

TITLE: **DEWAR ASSY, LN2, 84 PIN, 1.00" WINDOW**

SIZE: DWG NO. **C** **DWR-LN2** REV: **A**

SCALE: NONE SHEET 1 OF 1

**PROPRIETARY AND CONFIDENTIAL**  
 THE INFORMATION CONTAINED IN THIS DRAWING IS THE SOLE PROPERTY OF CB, INC. ANY REPRODUCTION IN PART OR AS A WHOLE WITHOUT THE WRITTEN PERMISSION OF CB, INC. IS PROHIBITED.