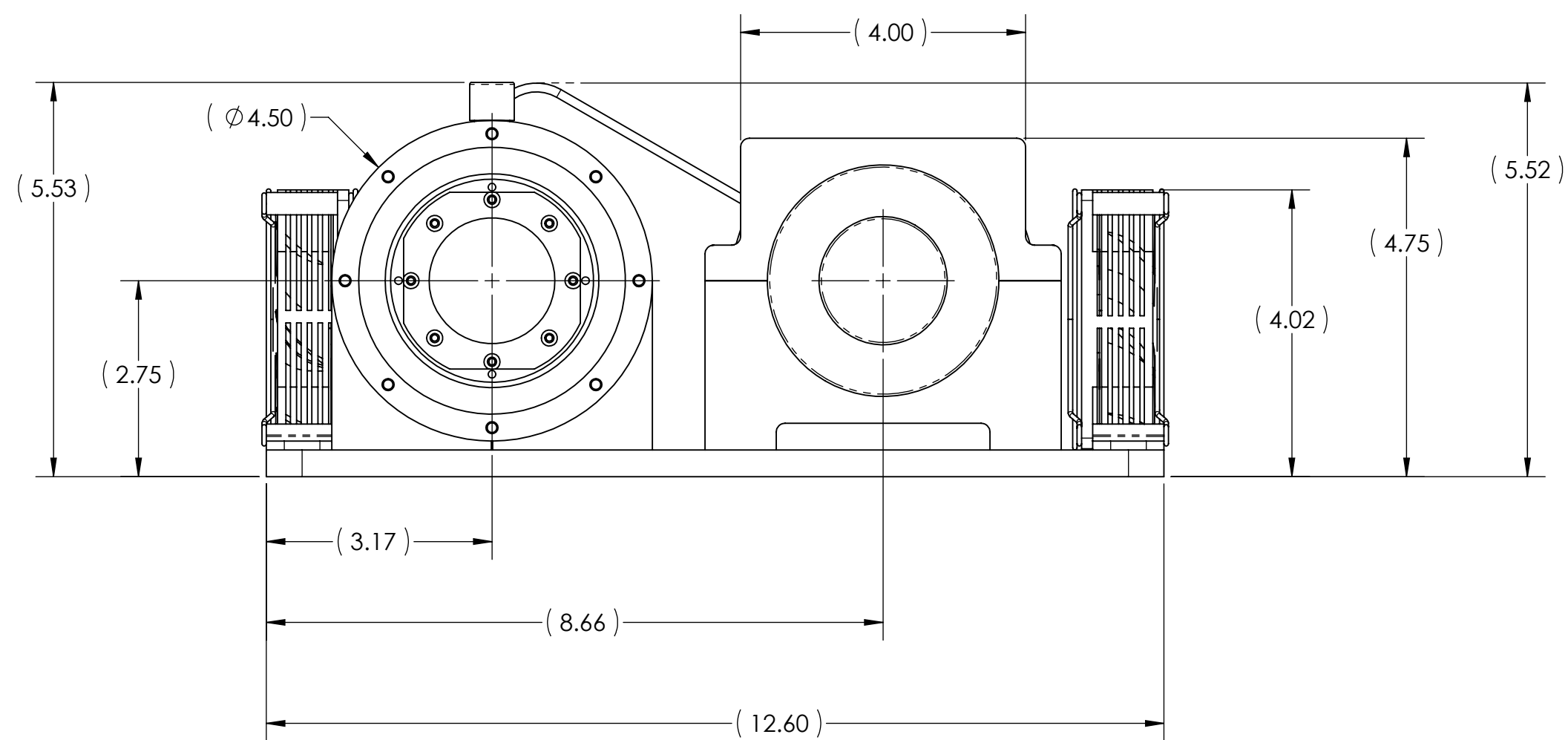
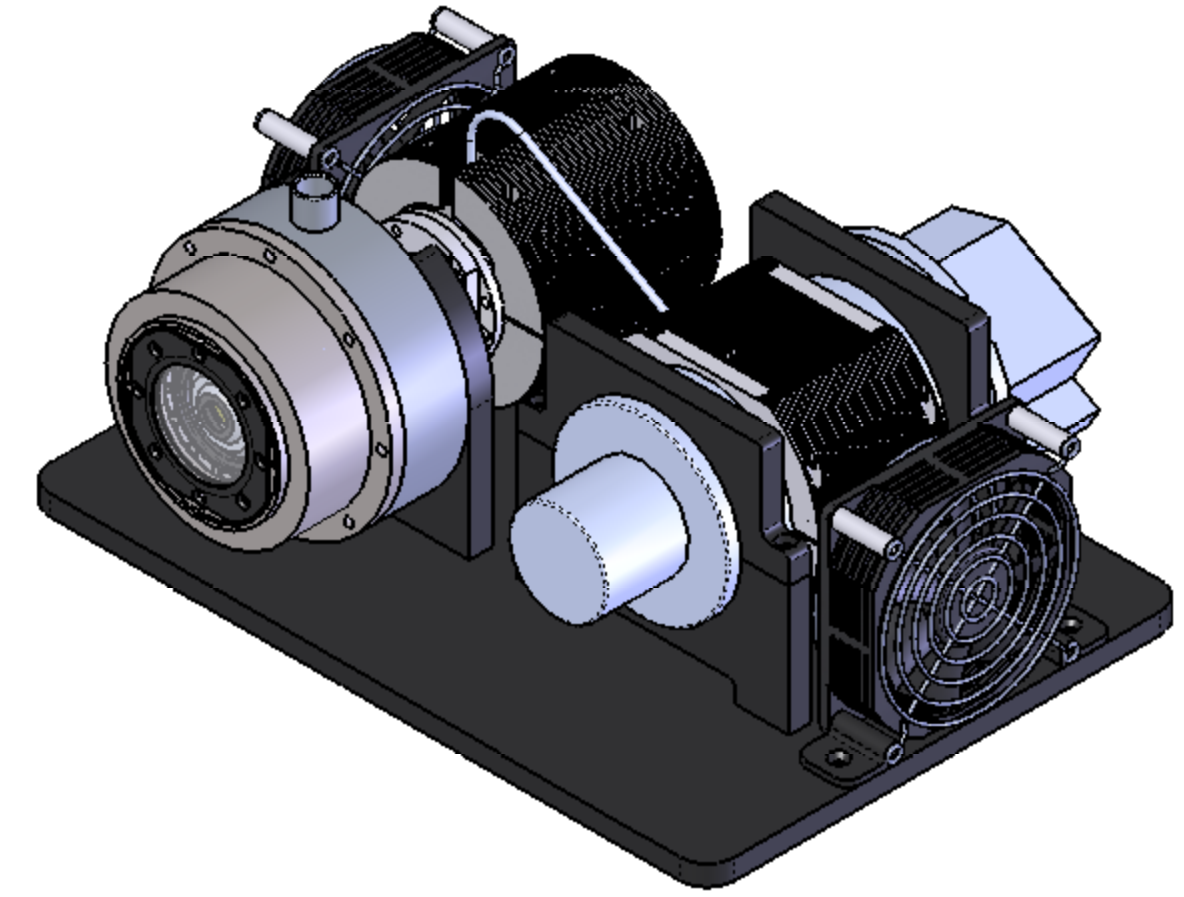
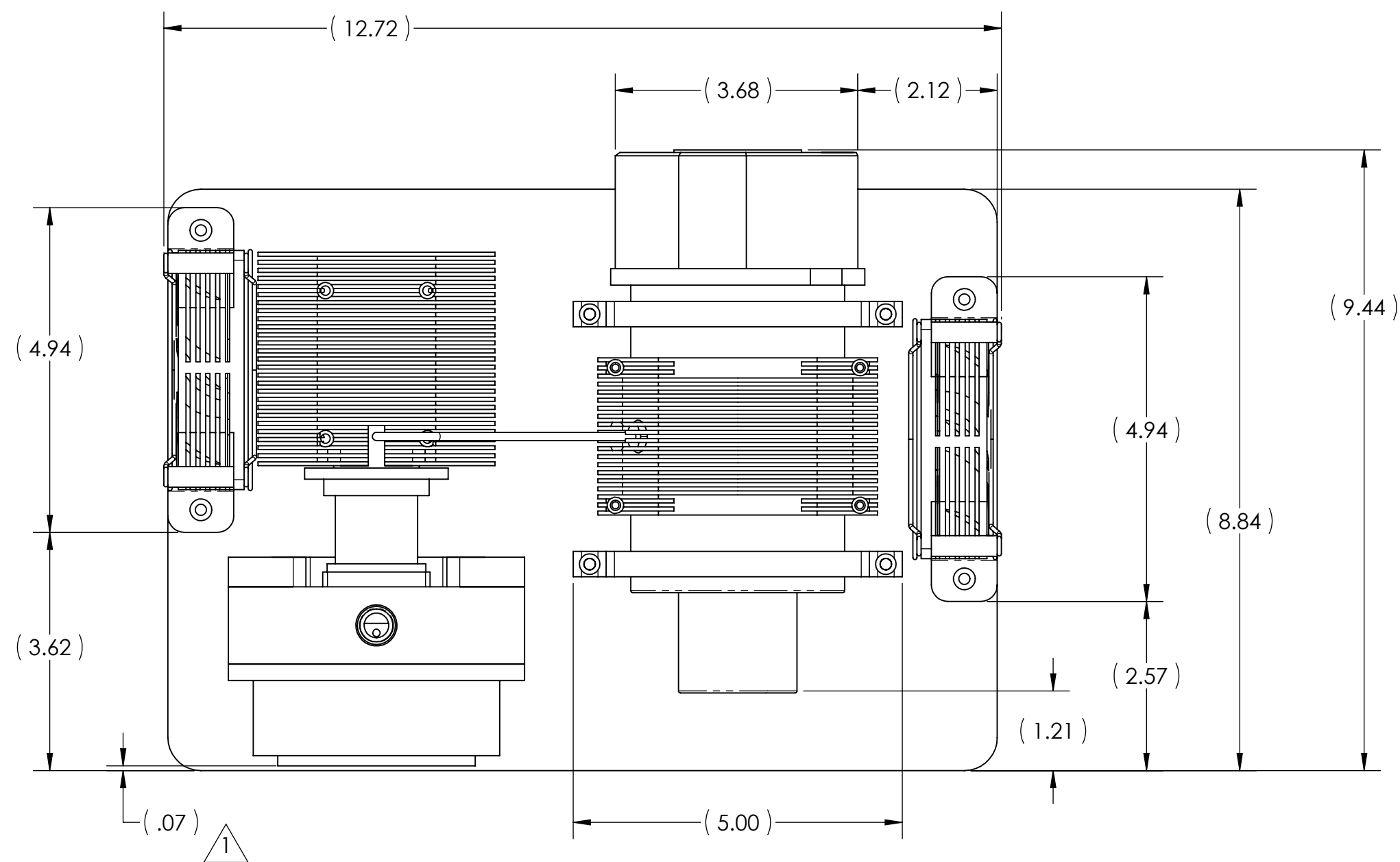


REVISION HISTORY		DATE	APPR.
REV	DESCRIPTION		
A	INITIAL RELEASE	6/26/08	



NOTES: UNLESS OTHERWISE SPECIFIED
 1. DIMENSION MAY VARY BASED ON OPTICAL CONFIGURATION.

INTERPRET GEOMETRIC TOLERANCING PER ASME Y14.5-1994	NAME	DATE	CB, Inc. 87 SANTA FELICIA DRIVE GOLETA, CA 93117
UNLESS OTHERWISE SPECIFIED: BREAK SHARP EDGES .015 MAX DIMENSIONS ARE IN INCHES TOLERANCES: .XX ±.01 .XXX ±.005 ANGLES: ±2° MACHINE SURFACE 125	DESIGNED	6/26/08	
PROPRIETARY AND CONFIDENTIAL THE INFORMATION CONTAINED IN THIS DRAWING IS THE SOLE PROPERTY OF CB, INC. ANY REPRODUCTION IN PART OR AS A WHOLE WITHOUT THE WRITTEN PERMISSION OF CB, INC. IS PROHIBITED.	DETAILD	6/26/08	TITLE: DEWAR, CLOSED CYCLE w/ 5W COOLER
	CHECKED		SIZE: DWG NO. C
	APPROVED		REV: A
	MATERIAL: VARIOUS	FINISH: VARIOUS	ACT WT: .XX LBS
	CAD GENERATED DWG		SHEET 1 OF 1