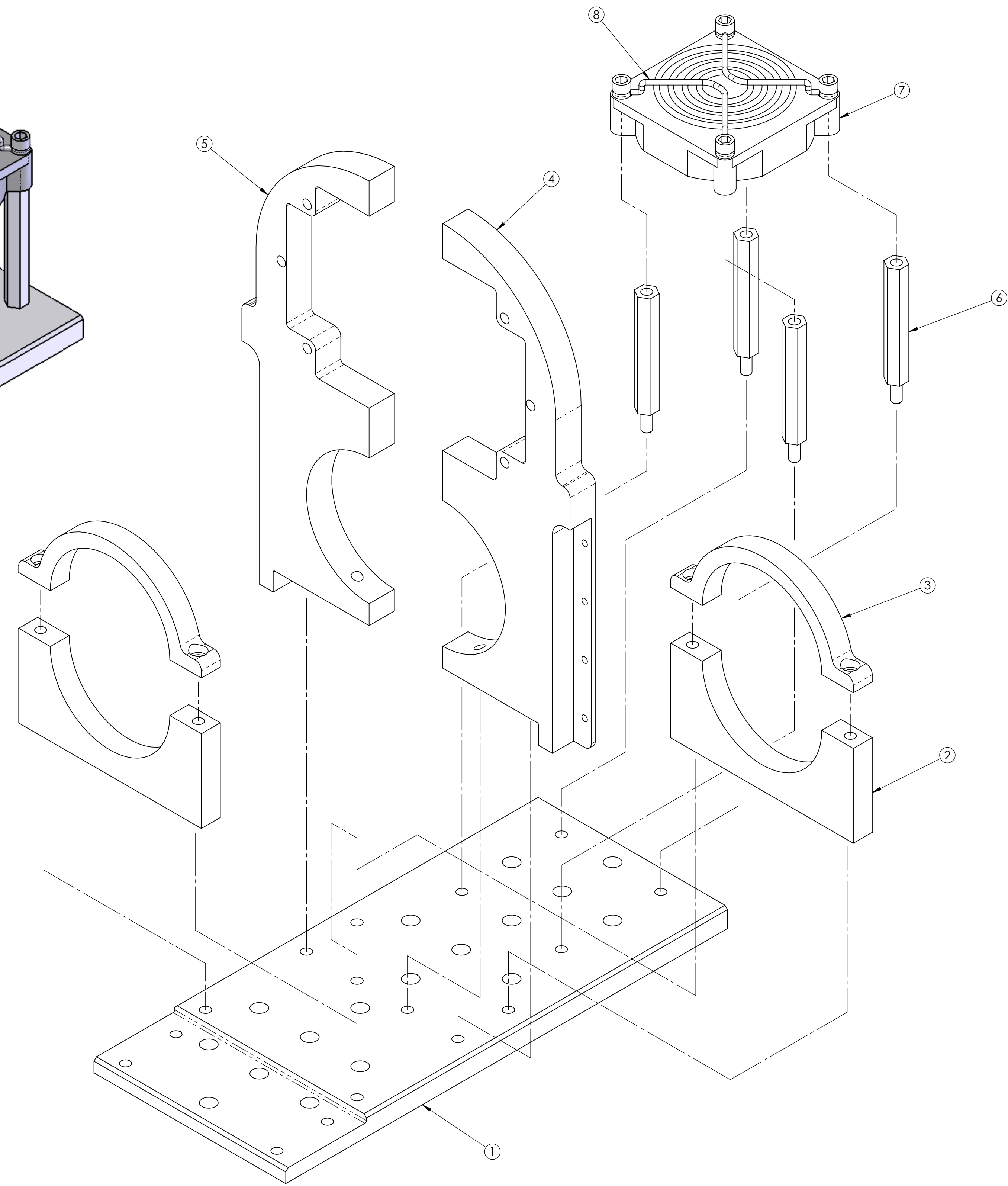
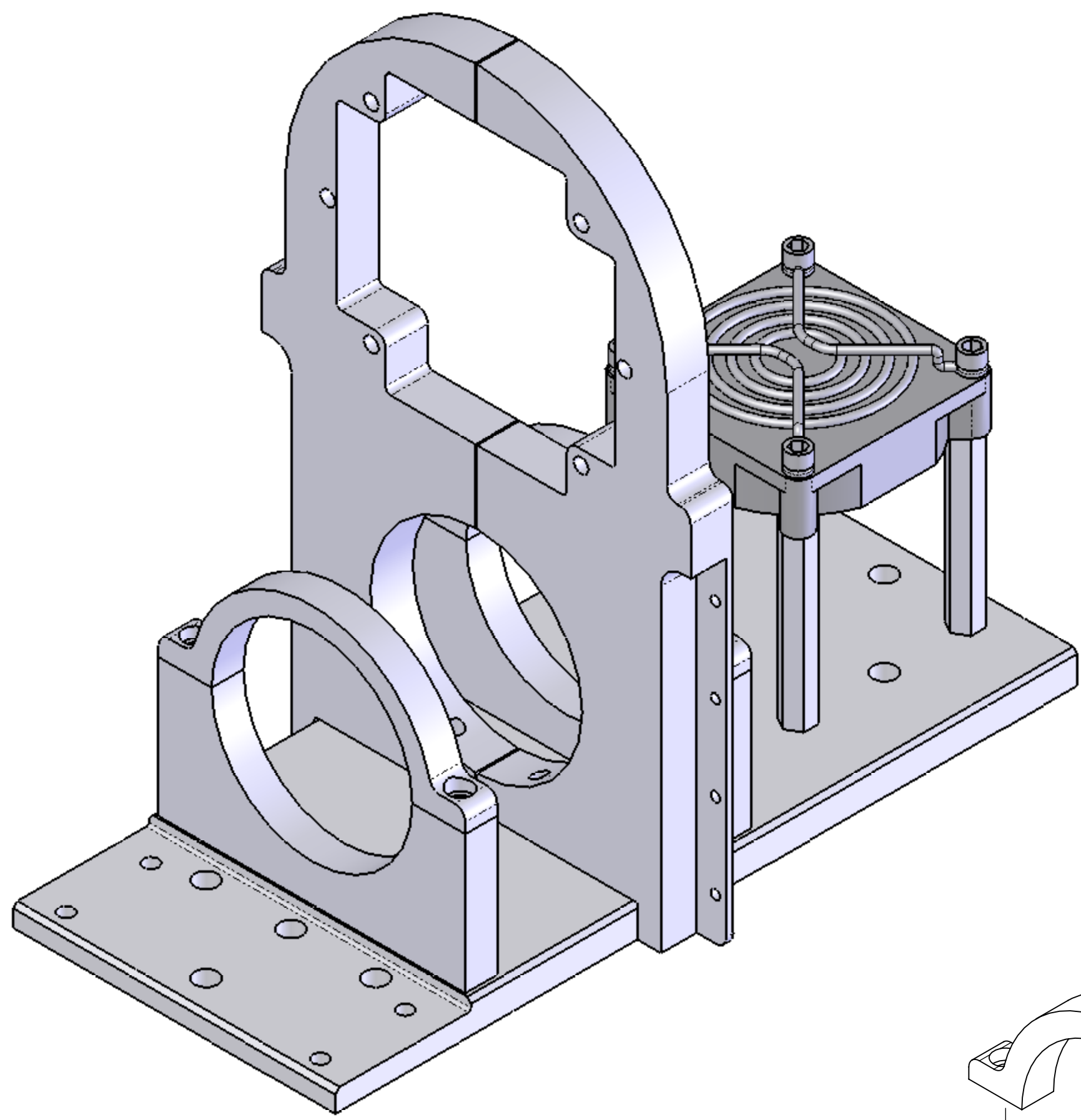


REVISION HISTORY		DATE	APPR.
REV	DESCRIPTION		
A	INITIAL RELEASE	12/23/06	



ITEM NO.	PART NO.	DESCRIPTION	QTY.
1	PLT-011	PLATE, MOUNTING, 1.5W COOLER ASSY	1
2	BRK-016	BRACKET, 1.5W COOLER, LOWER	2
3	BRK-017	BRACKET, 1.5W COOLER, UPPER	2
4	ADP-011	BRACKET, SUPPORT, RIGHT-FACING	1
5	ADP-010	BRACKET, SUPPORT, LEFT-FACING	1
6	SPC-009	STANDOFF	4
7	FAN-004	FAN, SMALL	1
8	FNG-002	FAN, SMALL, TOP-MOUNT	1

INTERPRET GEOMETRIC TOLERANCING PER ASME Y14.5-1994
 UNLESS OTHERWISE SPECIFIED:
 BREAK SHARP EDGES, 0.15 MAX
 DIMENSIONS ARE IN INCHES
 TOLERANCES: .XX ±.01
 .XXX ±.005
 ANGLES: ±2°
 MACHINE SURFACE: 125

DESIGNED	A. PROCTOR	DATE	12/20/06
DETAILED	A. PROCTOR	DATE	12/23/06
CHECKED	A. PROCTOR	DATE	12/23/06
APPROVED			

NAME: _____ DATE: _____
 MATERIAL: SEE PARTS LIST
 FINISH: NONE
 ACT WT: .XX LBS CAD GENERATED DWG

CB, Inc. 87 SANTA FELICIA DRIVE
 GOLETA, CA 93117
BRACKET ASSY,
1.5W COOLER
ASY-007
 D

SCALE: 1:1 (DO NOT SCALE DRAWING) SHEET 1 OF 1